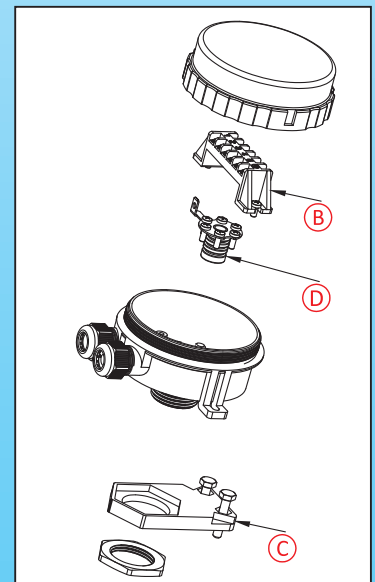
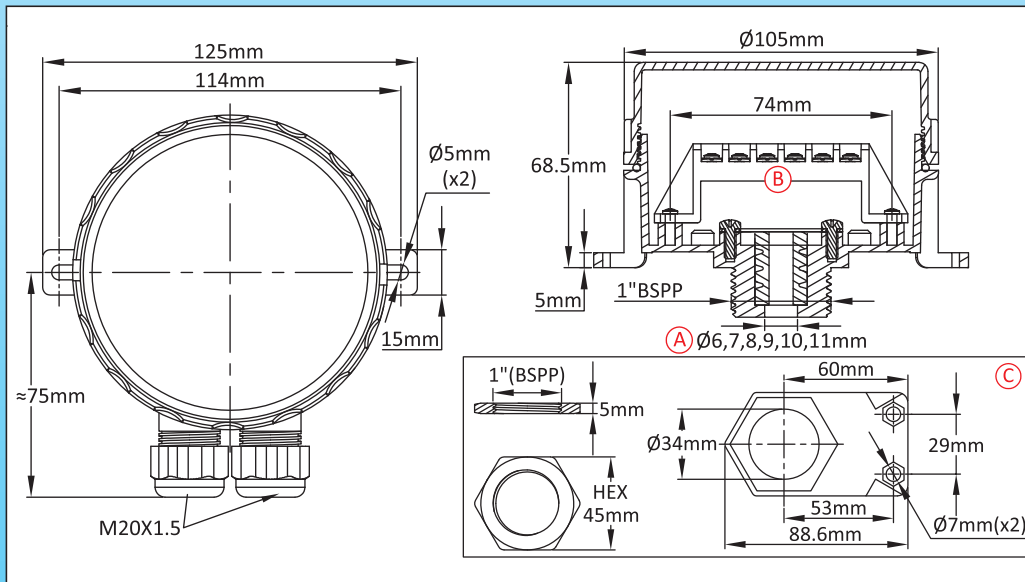


PVDF temperature sensor enclosure for surface treatment baths and highly corrosive environments

Size(mm)	Volume(cm ³)	Material	Protection grade		Model
Dia. 105 x 82	525	PVDF	IP69K	IK10	Y3E8

Suitable for
<input checked="" type="checkbox"/> Temperature sensor
<input type="checkbox"/> Immersion heater
<input type="checkbox"/> Finned heater
<input checked="" type="checkbox"/> Thermostat
<input checked="" type="checkbox"/> Level sensor
<input type="checkbox"/> Electronic board



Main references

(A) (mm)	(B)	(C)	With connection block (B)	Without connection block (B)	(A) (mm)	(B)	(C)	With connection block (B)	Without connection block (B)
6	Silicone	√	Y3E8060022BH40XT	Y3E8060022B000XT	9	Silicone	√	Y3E8090022BH40XT	Y3E8090022B000XT
6	Silicone	×	Y3E8060022BH40UT	Y3E8060022B000UT	9	Silicone	×	Y3E8090022BH40UT	Y3E8090022B000UT
6	FKM	√	Y3E8060022BH40ZT	Y3E8060022B000ZT	9	FKM	√	Y3E8090022BH40ZT	Y3E8090022B000ZT
6	FKM	×	Y3E8060022BH40WT	Y3E8060022B000WT	9	FKM	×	Y3E8090022BH40WT	Y3E8090022B000WT
6	NBR	√	Y3E8060022BH40YT	Y3E8060022B000YT	9	NBR	√	Y3E8090022BH40YT	Y3E8090022B000YT
6	NBR	×	Y3E8060022BH40VT	Y3E8060022B000VT	9	NBR	×	Y3E8090022BH40VT	Y3E8090022B000VT
7	Silicone	√	Y3E8070022BH40XT	Y3E8070022B000XT	10	Silicone	√	Y3E8100022BH40XT	Y3E8100022B000XT
7	Silicone	×	Y3E8070022BH40UT	Y3E8070022B000UT	10	Silicone	×	Y3E8100022BH40UT	Y3E8100022B000UT
7	FKM	√	Y3E8070022BH40ZT	Y3E8070022B000ZT	10	FKM	√	Y3E8100022BH40ZT	Y3E8100022B000ZT
7	FKM	×	Y3E8070022BH40WT	Y3E8070022B000WT	10	FKM	×	Y3E8100022BH40WT	Y3E8100022B000WT
7	NBR	√	Y3E8070022BH40YT	Y3E8070022B000YT	10	NBR	√	Y3E8100022BH40YT	Y3E8100022B000YT
7	NBR	×	Y3E8070022BH40VT	Y3E8070022B000VT	10	NBR	×	Y3E8100022BH40VT	Y3E8100022B000VT
8	Silicone	√	Y3E8080022BH40XT	Y3E8080022B000XT	11	Silicone	√	Y3E8110022BH40XT	Y3E8110022B000XT
8	Silicone	×	Y3E8080022BH40UT	Y3E8080022B000UT	11	Silicone	×	Y3E8110022BH40UT	Y3E8110022B000UT
8	FKM	√	Y3E8080022BH40ZT	Y3E8080022B000ZT	11	FKM	√	Y3E8110022BH40ZT	Y3E8110022B000ZT
8	FKM	×	Y3E8080022BH40WT	Y3E8080022B000WT	11	FKM	×	Y3E8110022BH40WT	Y3E8110022B000WT
8	NBR	√	Y3E8080022BH40YT	Y3E8080022B000YT	11	NBR	√	Y3E8110022BH40YT	Y3E8110022B000YT
8	NBR	×	Y3E8080022BH40VT	Y3E8080022B000VT	11	NBR	×	Y3E8110022BH40VT	Y3E8110022B000VT

Links

Page
(.pdf)

Drawing
2D
(.dwg)

Drawing
3D
(.stp)

Because of permanent improvement of our products, drawings, descriptions, features used on these data sheets are for guidance only and can be modified without prior advice.

Cable gland not included in these reference, consult us if you want them.

Red dimensions inside rectangular frames on drawings are used for accessories assembly.

